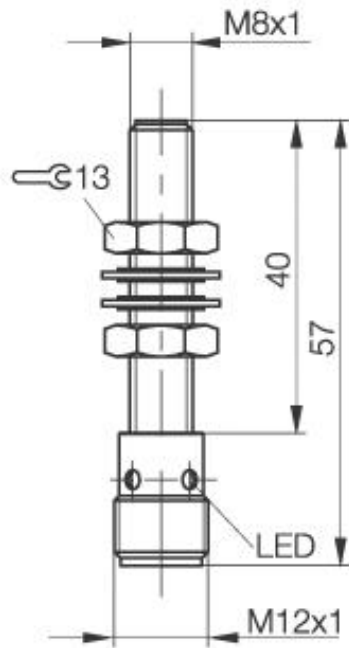


Inductive Sensors
BES M08EG1-PSC15A-S04G-W
M 8 x 57
normally-open
Sn=1,5mm
shielded
Factor 1



PX1469

Common Data

Product name	Factor 1
Mounting in steel	shielded
Rated operating distance Sn	1,5mm
Assured operating distance Sa	0...1,2mm
Repeatability R	= 5%
Hysteresis	=15%
Function indication	yes
Ambient temperature range	-25...+70°C
Polution Degree	3
Time delay before availability	≤ 15ms
Particular characteristics	Factor 1

Mechanical Data

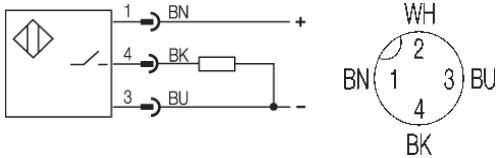
Measurements BxHxT or DxT	M 8 x 57mm
Housing material	1.4301 PTFE coated
Material of sensing face	PBTP + PTFE
Degree of protection	IP67IP
Connection	Connector S4 (M12)
Schock: Halbsinus, 30 gn, 11ms	
Vibration: 55 Hz, 1mm Amplitude, 3 x 30 Minutes	

Electrical Data

Current type	DC
Wiring	3-Wire
switching function	normally-open
Output signal	PNP
Rated operational voltage	24 DCV
Rated operational current	150mA
Supply voltage	10...30 DCV
Ripple	≤ 10%
max. switching frequency	2000Hz
No-load supply current	= 15 / = 15mA
Off-state current	≤ 100µA
Voltage drop	= 2.5/-V
Short circuit protection	yes
Protected against polarity reversal	yes

Remarks

magnetic field immune up to 100kAm, weld immune



Utilization categories
 Insulation class

DC 13
 II

Datasheet number:

Definitions see general catalog.
 If not otherwise noted, ratings according to
 IEC 60947-5-2 (DIN EN60947-5-2)

Balluff GmbH
 Schurwaldstrasse 9
 73765 Neuhausen a.d.F.
 Phone (07158) 173-0 Fax (07158) 5010

Datenblatt by CD-ROM - 04/2007

